

0.1 MICRON PARTICLE COUNTER

MODEL 3950

4.3 inch color
touchscreen
display

Monitor environments
in real-time with
included PC software



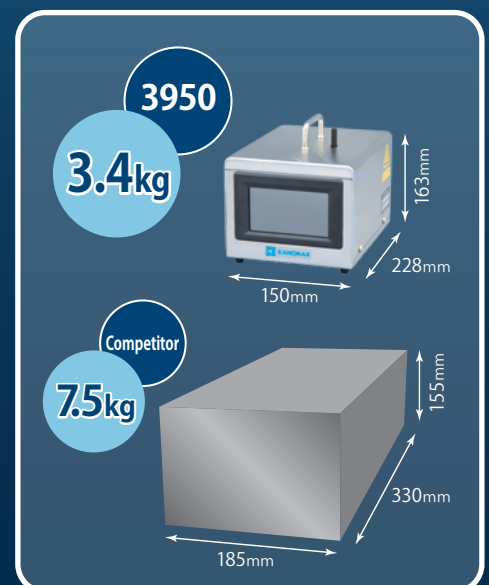
Amazingly lightweight particle counter with 0.1 micron sensitivity

FEATURES AND BENEFITS

- 0.1 μm sensitivity
- 2-channels (0.1-0.3 μm)
- 0.1CFM (2.83L/min) - Compliant with ISO21501-4 and JIS B9921
- Interface: RS-485, Ethernet, USB

Applications

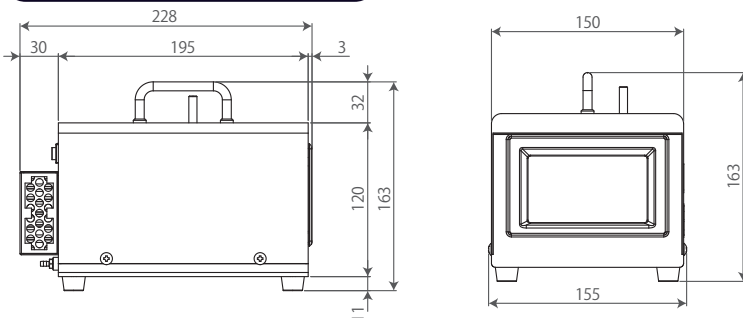
- Up to ISO Class 1 Cleanroom Monitoring
- Semiconductor Manufacturing
- Surgical Room Monitoring



PRODUCT SPECIFICATIONS

Product		0.1 μm Particle Counter
Model		3950
Particle Measurement	Measuring method	Light scattering
	Size distribution	2 channels (0.1 μm and 0.3 μm)
	Flow rate	0.1 CFM (2.83 L/min) Accuracy: $\pm 5\%$ (Compliant with JIS B9921 and ISO21501-4)
	Sampling time	From 6 seconds to 99 minutes and 59 seconds in one (1) sampling time
	Interval time	From 6 seconds to 99 minutes 59 seconds (Interval between the start and the next start of the repeat measurements)
	Sampling cycle	From 1 to 999 cycles or continuous samplings
	Location classification	99 locations
	Measuring mode	Repeat, Single, Continuous, Calculation
	Display of measured value	Cumulative Σ , Differential Δ or Bar graph
	Maximum measurable concentration	10,000,000 particles/ m^3 (Coincidence loss: less than 10%) (Compliant with JIS B9921 and ISO21501-4)
	Counting efficiency	50 \pm 20% (for PSL particles near the minimum measurable size) 100 \pm 10% (for PSL particles of 1.5 to 2 times as large as the minimum measurable size) (Compliant with JIS B9921 and ISO21501-4)
	False count	≤ 1 particle/35 minutes (Compliant with JIS B9921 and ISO21501-4)
	Size resolution	$\leq 15\%$ (for PSL particles around 0.3 μm) (Compliant with JIS B9921 and ISO21501-4)
	Pump	Built-in
Display and Operation		4.3 inch color LCD with touch panel
Communication	Data	USB (Host: for printer, and for USB memory, Device: for PC)
	Remote Measurement	Modbus (Ethernet, RS485: 9600, 19200, 38400 baud)
Recording	Media	Built-in memory
Media	No. of recording capacity, Format	Up to 8 MB, CSV forma
Language		English, Japaneset
Power		AC adapter Input: 100~240 V, Output: DC15V 4A
Operating environment		15~35°C, 0~85%RH (with no condensation)
Storage environment		-20~50°C (with no condensation)
Dimension		W150 X H163 X D228 mm
Weight		3.4 kgs.
Initial Accessories		Main unit, AC Adapter, USB Cable, Zero Filter, Tygon Tube (1 m), Inlet Protective Cap, Software CD
Guaranteed Time of Operation		Within 8 hours per day, within 240 days per year

Dimensions Diagram (mm)



Specifications are subject to change without notice.



KANOMAX JAPAN, INC.

2-1, Shimizu, Suita-shi Osaka, 565-0805
 TEL : 81-6-6877-0183 FAX : 81-6-6877-5570
 E-mail : sales@kanomax.co.jp
 URL : www.kanomax.co.jp
www.kanomax-usa.com

© Copyright 2019 by KANOMAX JAPAN, INC

Distributed by:

E3950-1E